

Type 700 Precision Air Pressure Regulator

For applications that require high flow capacity

The Type 700 is designed for applications that require high flow capacity and accurate process control. A poppet valve balanced by a rolling diaphragm insures a constant output pressure even during wide supply pressure variations. Stability of regulated pressure is maintained under varying flow conditions through the use of an aspirator tube which adjusts the air supply in accordance with the flow velocity.

FEATURES

- **High Flow Capacity**
Allows flows up to 80 scfm (135.9 m³/hr)
- **Sensitive**
Senses output pressure deviations to within 1/8 inch water column pressure
- **Stable Output**
Dampening action of aspirator tube makes this regulator insensitive to changes in flow
- **On-line Maintenance**
Can be serviced without removal from air line

Applications

The Type 700 is an ideal choice for any application that calls for accurately maintained output pressure under high flow conditions. This includes, but is not limited to such applications as:

Test Equipment	Laboratory Equipment
Roll Loading	Gas Mixing
Web Tensioning	Test Panels
Valve Operators	Clutch and Brake Controls
Actuators	Positioning Cylinders

Materials of Construction

Body	Diecast aluminum alloy
Internal Components	Stainless steel, brass, plated steel, acetal
Diaphragm	Buna-N elastomer, polyester fabric
Knob	Phenolic plastic

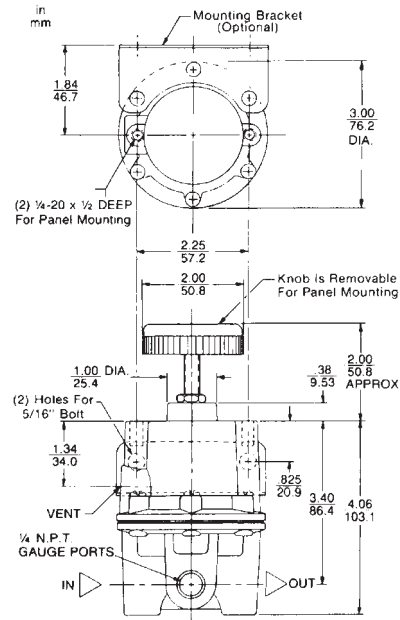


Type 700

Ordering Information

Type 700 Dimensions

Model Number	Port Size (NPT)	Output Range (psi)	Output Range (BAR)
700-BA	1/4"	0-2	0-0.15
700-CA	3/8"	0-2	0-0.15
700-DA	1/2"	0-2	0-0.15
700-BC	1/4"	0-15	0-1.0
700-CC	3/8"	0-15	0-1.0
700-DC	1/2"	0-15	0-1.0
700-BD	1/4"	0-30	0-2.0
700-CD	3/8"	0-30	0-2.0
700-DD	1/2"	0-30	0-2.0
700-BE	1/4"	0-60	0-4.0
700-CE	3/8"	0-60	0-4.0
700-DE	1/2"	0-60	0-4.0
700-BF	1/4"	0-150	0-10
700-CF	3/8"	0-150	0-10
700-DF	1/2"	0-150	0-10



Options

Add proper letter at end of model number.

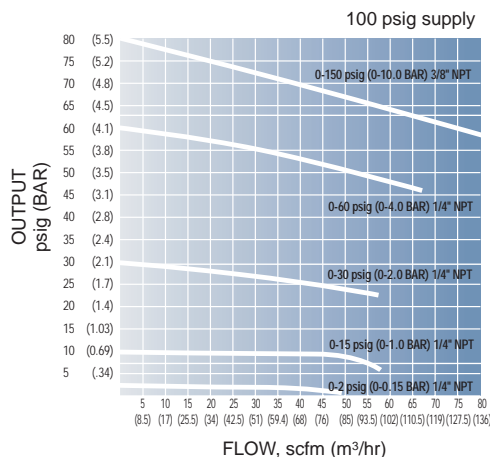
- E** - Tapped Exhaust - allows captured exhaust. 1/4" NPT port
- L** - Low Bleed - reduces steady state air consumption by 50%
- H** - High Bleed - provides more dynamic performance at lower pressure and flow rates
- C** - Check Valve - integral safety device which quickly dumps output pressure when there is a loss of supply air.
- N** - Non-Relieving - for constant flow or downstream pressure relief applications
- T** - Tamperproof Cover - prevents casual adjustment of output pressure.
- S** - Stainless Steel Adjust Screw - hex head stainless steel adjust screw for maximum corrosion resistance
- U** - BSP Porting - 1/4" BSP porting

Accessories

Gauges: 0-15 PSI (0-.15 BAR)	P/N 446-725-003
0-30 PSI (0-2.0 BAR)	P/N 446-725-004
0-60 PSI (0-4.0 BAR)	P/N 446-725-001
0-160 PSI (0-11 BAR)	P/N 446-725-002

Mounting Bracket: P/N 446-707-025

Flow Characteristics



Type 700 Specifications

Flow Capacity	See performance curves
Exhaust Capacity	4 scfm (6.7 m³/hr) [downstream pressure 5 psi (.35 BAR) above set pressure]
Sensitivity	1/8" (6.3 mm) water
Effect of Supply Pressure Variation on Output	Less than 0.1 psi for 100 psi change
Air Consumption, Maximum	Steady State: From 1.0 to 12.5 scfh (.03 to .35 m³/hr), depending on output pressure range
Supply Pressure	250 psig (17.5 BAR) Maximum
Operating Temperature	-40°F to 160°F (-40°C to 71°C)
Weight	1 lb, 10 oz (.74 kg)
Mounting	Pipe, panel, or bracket
Port Sizes	1/4", 3/8" or 1/2" NPT (1/4" BSP option)
Output Pressure Ranges	0-2 psi (0-0.15 BAR), 0-15 psi (0-1.0 BAR) 0-30 psi (0-2.0 BAR), 0-60 psi (0-4.0 BAR) 0-150 psi (0-10 BAR)

Warranty

ControlAir, Inc. products are warranted to be free from defects in materials and workmanship for a period of eighteen months from the date of sale, provided said products are used according to ControlAir, Inc. recommended usages. ControlAir, Inc.'s liability is limited to the repair, purchase price refund, or replacement in kind, at ControlAir, Inc.'s sole option, of any products proved defective. ControlAir, Inc. reserves the right to discontinue manufacture of any products or change products materials, designs or specifications without notice. Note: ControlAir does not assume responsibility for the selection, use, or maintenance of any product. Responsibility for the proper selection, use, and maintenance of any ControlAir product remains solely with the purchaser and end user.



8 Columbia Drive / Amherst, NH 03031 USA

Website: www.controlair.com

Email: sales@controlair.com

603-886-9400 FAX 603-889-1844

