

Type 925 Multifunction Supply Manifold

A common supply port for the 900X I/P, E/P Transducer

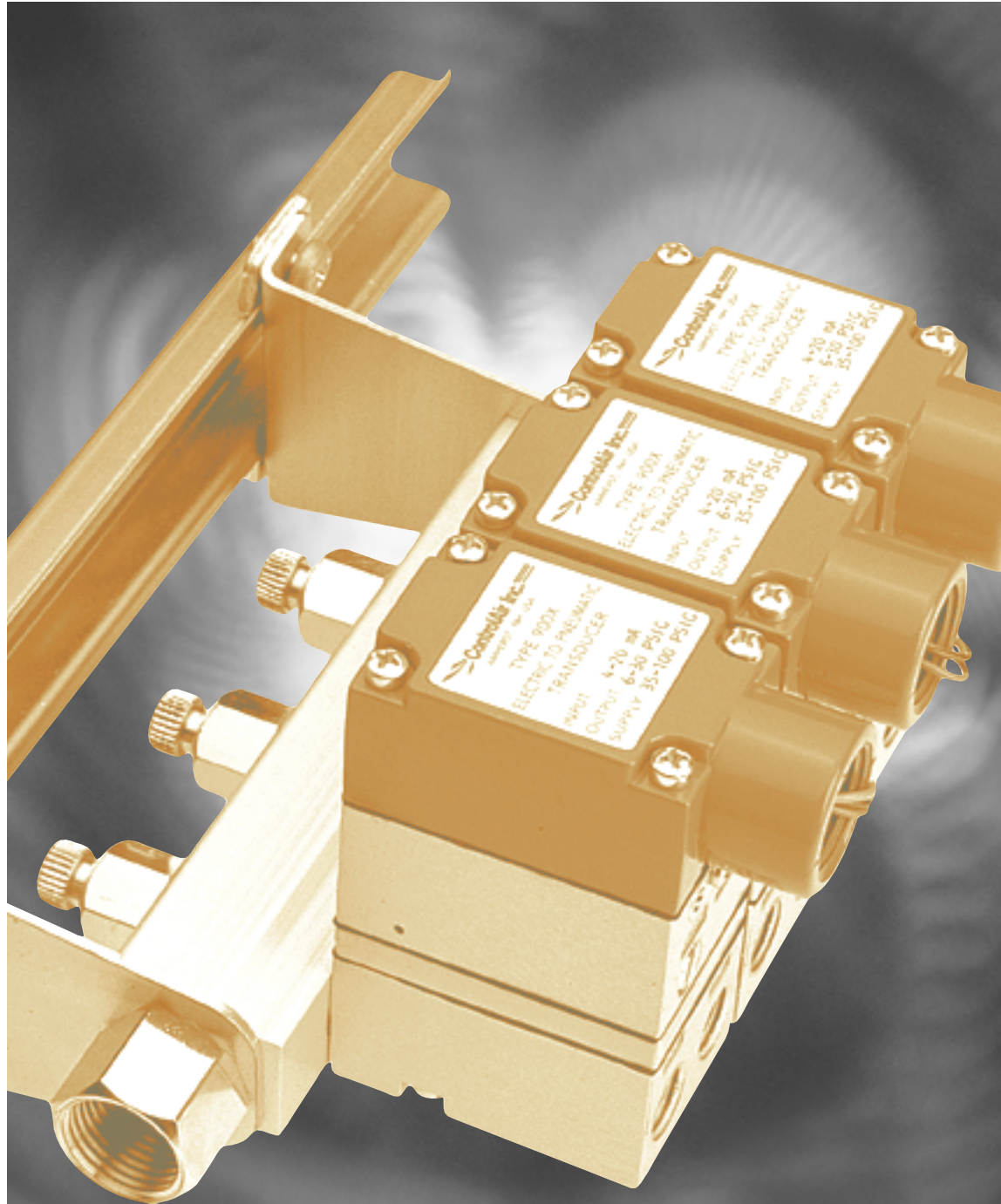
The Type 925 Multifunction Manifold provides a common supply port to our Type 900X I/P, E/P transducers.

Manifolds are available to hold 3, 5, 10 and 15 units. Inlet ports feature a patented individual shut-off valve that allows safe on-line service or modification with supply pressure on. Individual units may be installed or removed without effecting other units on the manifold. Construction of the manifold is simple and flexible. Connection ports thread easily into the I/P, E/P units.

No additional hardware such as check valves or adapter kits are required. The Type 925 is DIN rail mountable (optional). The Type 925 can also be used as a common output manifold for solenoid valves.

Features

- **Common Supply Line**
Eliminates need for individual supply lines
- **Individual Shut-offs**
Allows service with supply pressure on
- **Easy Set-up**
Goes together in minutes
- **Use with Solenoids**
Acts as a common output manifold
- **DIN Rail Mounting**
I/Ps can be pre-mounted on manifold to ease assembly



Type 925

Specifications

Type 925

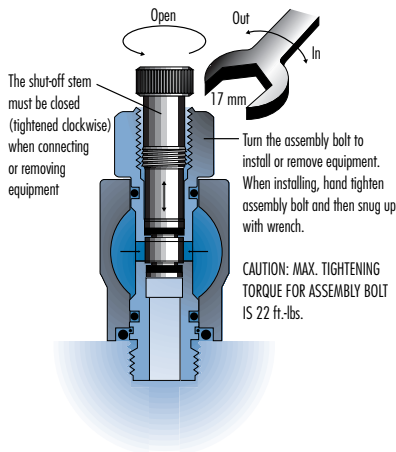
Ordering Information

Connections	Supply Port 1/2" NPT (Located at manifold ends) Input Stations 1/4" NPT
Number of Mountable Units	3, 5, 10, 15
Temperature Range	-4°F (-20°C) to +190°F (90°C)
Operating Pressure	Vacuum to 250 psig (16 BAR)
Material	Anodized Aluminum (manifold) 316 Stainless Steel (brackets) Nickel-plated Brass (bolts) Buna-N elastomers ("o" rings)

Type 925 Manifolds	Part Number
3 Unit Manifold Kit	438-544-005
5 Unit Manifold Kit	438-544-006
10 Unit Manifold Kit	438-544-007
15 Unit Manifold Kit	438-544-008

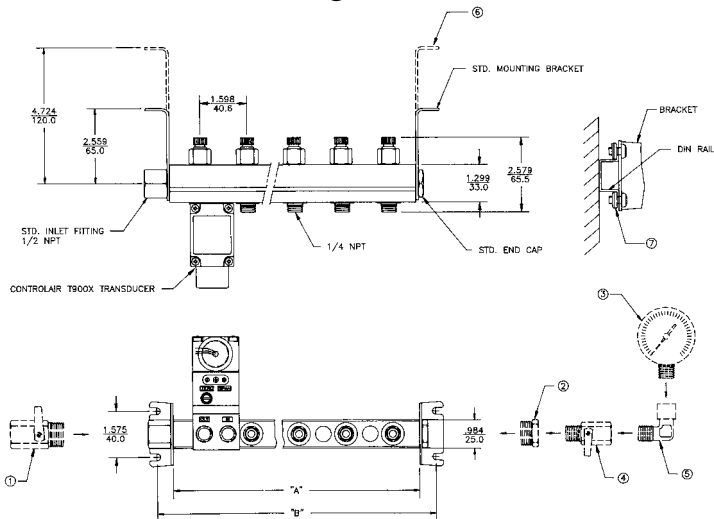
Each kit includes manifold, mounting brackets (2), end cap, 1/2" NPT inlet fitting

Device Installation



Accessories	Part Number
1/2" Supply Shut-off Valve	445-778-008
1/2" to 1/4" NPT Reducer	445-722-005
Pressure Gauge (1/4" bottom mount, 0-60 psig)	446-725-014
Pressure Gauge (1/4" bottom mount, 0-160 psig)	446-725-015
1/4" Shut-off Valve	445-778-009
1/4" Elbow	445-722-004
Extended Mounting Bracket	445-707-042
DIN Rail Mounting Kit	448-542-004

Dimensional Drawings



Stations	Length "A" in. (mm)	Length "B" in. (mm)
3	6.1 (155)	7.13 (181)
5	9.3 (236)	10.31 (262)
10	17.3 (439)	18.31 (465)
15	25.3 (642)	26.30 (668)

Number	Description
1	1/2" Supply Shut-off Valve
2	1/2" NPT to 1/4" NPT Reducer
3	Pressure Gauge
4	1/4" Shut-off Valve
5	1/4" Elbow
6	Extended Mounting Bracket (120mm)
7	DIN Rail Mounting Kit (4 piece set)



8 Columbia Drive / Amherst, NH 03031 USA
Phone: 603/886-9400 Fax: 603/889-1844
www.controlair.com / sales@controlair.com